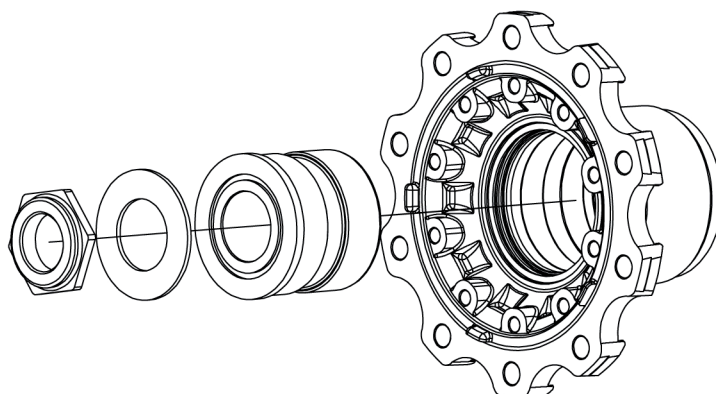




## Tightening torque



Constantly rotate the wheel hub whilst tightening.  
Tighten the axle nut and do not loosen. Then secure the axle nut.

**Axle nut with right-handed thread 700 Nm**

**Axle nut with left-handed thread, stage 1 = 200 Nm**

**Axle nut with left-handed thread, stage 2 = Turn further by 47°**

---