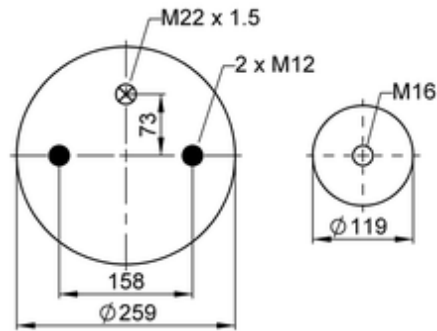
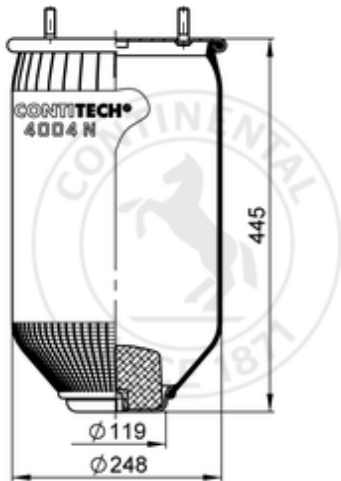


4004 N P02
67212


- bolt or stud
- hole
- combination stud
- air inlet
- stud and nut

kg	5,2 kg
	M12: max. 70 Nm
	M16: max. 130 Nm
	M22x1.5: max. 20 Nm

OE Manufacturer/Part No.

Manufacturer	Original Part No.	Model
SAF - Holland	4.284.3003.01	2618 Service Assembly