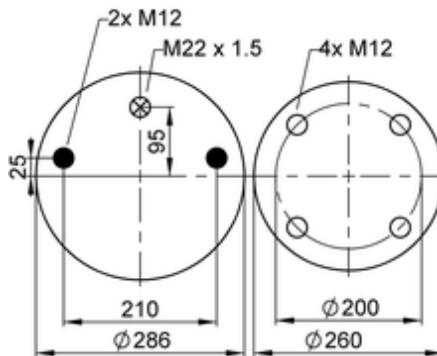
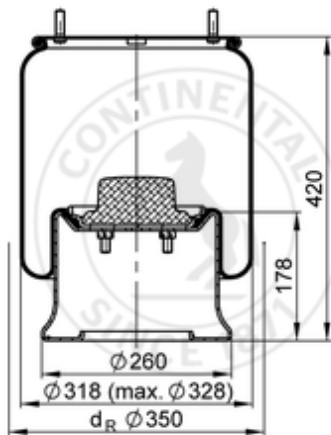






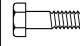





4028 N P02

72302



 bolt or stud   
  hole   
  combination stud   
  air inlet   
  stud and nut

	13,6 kg
	K028
	
	M12: max. 70 Nm
	M22x1.5: max. 20 Nm

**OE Manufacturer/Part No.**

Manufacturer	Original Part No.	Model
Schmitz	015 323	
Weweler	US 04028	
Scania	2198335	
SMB	09377008	
Weweler	US 04028C	
Weweler	YP4028N2-F	
Weweler	US 04028F	

Valx

80131003

HD100