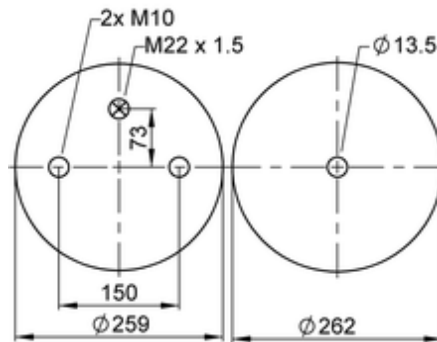
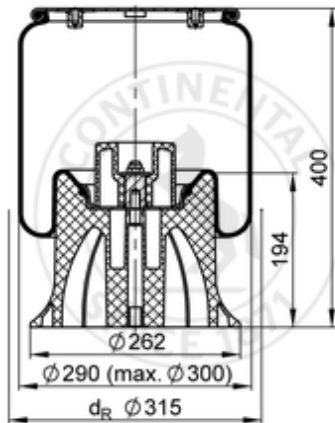


**4157 N P06**
**66496**


- bolt or stud
- hole
- combination stud
- air inlet
- stud and nut

kg	7,2 kg
	K009
	M10: max. 35 Nm
	M12: max. 70 Nm
	M22x1.5: max. 20 Nm

**OE Manufacturer/Part No.**

Manufacturer	Original Part No.	Model
Weweler	US 06316	
Schmitz	751 065	
Scania	2198333	