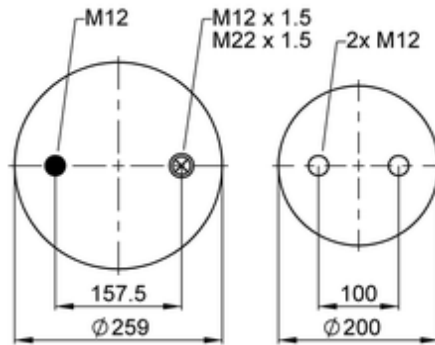
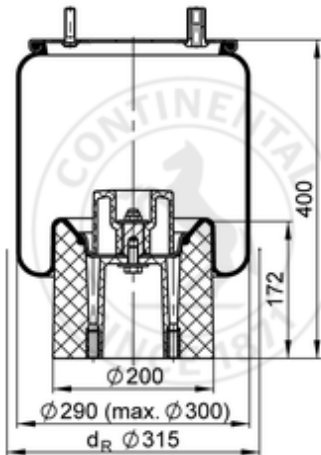


**4157 N P05**
**66495**


- bolt or stud
- hole
- combination stud
- air inlet
- stud and nut

kg	7 kg
	K025
	M12: max. 70 Nm
	M22x1.5: max. 20 Nm

**OE Manufacturer/Part No.**

Manufacturer	Original Part No.	Model
Weweler	US 07074P	AC 524/514
Weweler	US 07074C	AC 524/514
Weweler	US 08840	AC 524/514