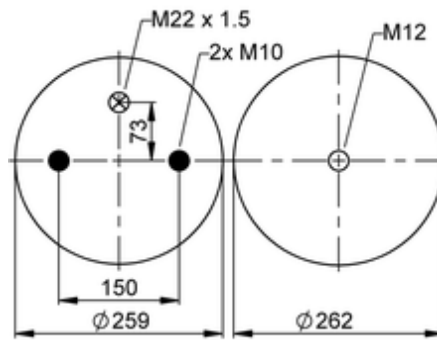
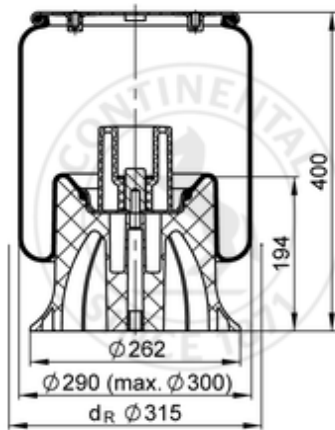

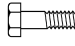






4158 N P03

72317



bolt or stud
 hole
 combination stud
 air inlet
 stud and nut

 kg	7,5 kg
	K009
	
	M10: max. 35 Nm
	M12: max. 70 Nm
	M22x1.5: max. 20 Nm

OE Manufacturer/Part No.

Manufacturer	Original Part No.	Model
Schmitz	014 892	
Schmitz	750 999	
Weweler	US 06285	
Scania	2198334	

