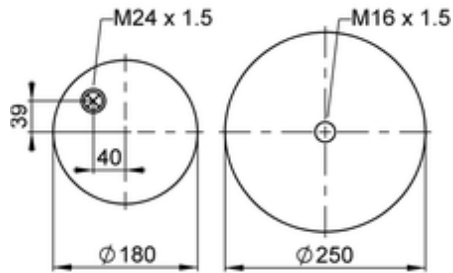
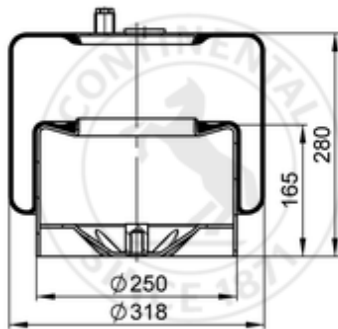


4185 N P21
600141


bolt or stud
 hole
 combination stud
 air inlet
 stud and nut

	10,1 kg
	65942
	K021
	M16x1.5: max. 130 Nm
	M24x1.5: max. 100 Nm

OE Manufacturer/Part No.

Manufacturer	Original Part No.	Model
Mercedes	942 320 30 21	
Mercedes	974 320 00 21	
Mercedes	A 942 320 30 21	Atego
Mercedes	A 974 320 00 21	Atego
Mercedes	A 942 320 30 21	Atego

Mercedes

A 974 320 00 21

Atego