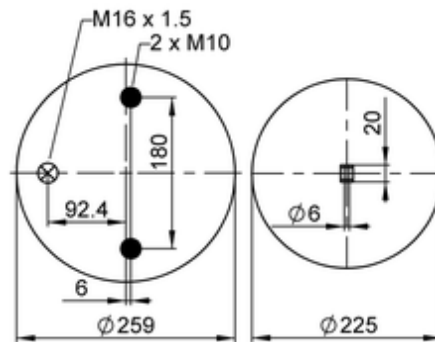
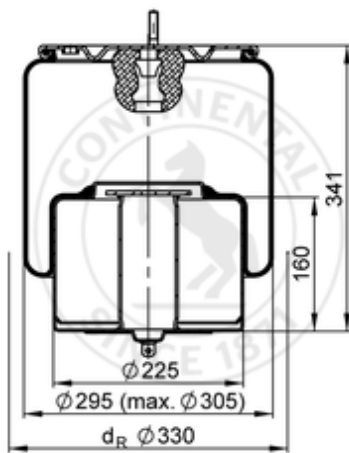

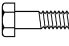





4718 N P01

62623



bolt or stud   
  hole   
 ⊗ combination stud   
 ⊗ air inlet   
 ● stud and nut

 kg	9,6 kg
	K006
	
	M10: max. 35 Nm
	M16x1.5: max. 20 Nm

### OE Manufacturer/Part No.

Manufacturer	Original Part No.	Model
Volvo	1 629 718	
Volvo	20 554 759	
Volvo	20 452 136	
Volvo	1 075 363	
Volvo	1 075 363	lowliner

