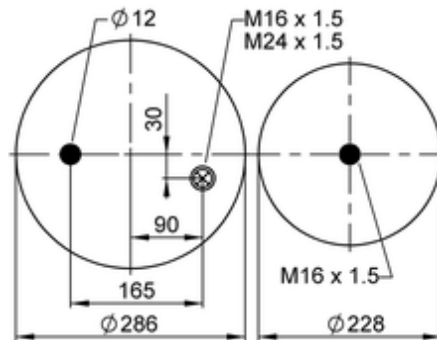
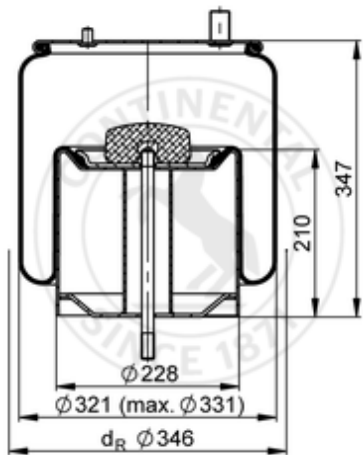


4911 N P04
67719


bolt or stud
 hole
 combination stud
 air inlet
 stud and nut

kg	13,5 kg
	K018
	M16x1.5: max. 180 Nm
	M16x1.5: max. 80 Nm
	M24x1.5: max. 120 Nm

OE Manufacturer/Part No.

Manufacturer	Original Part No.	Model
Renault	5.010.557.356	Premium / Magnum low
Renault	22 190 560	Premium / Magnum low
Renault	7.422.190.560	Premium / Magnum low