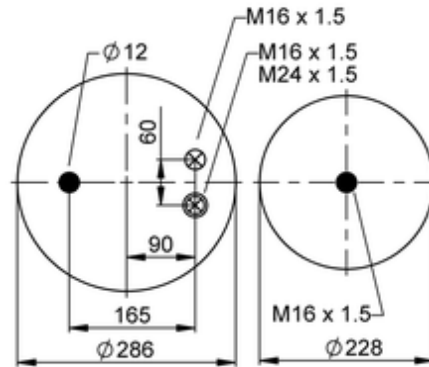
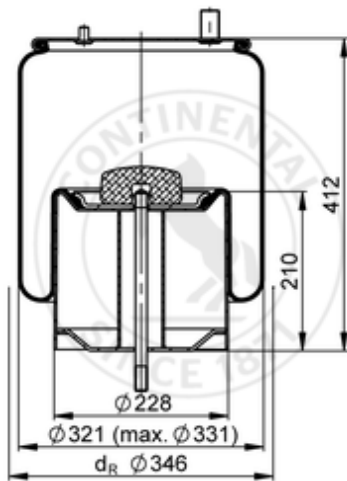


**4912 N P07**
**67252**


- bolt or stud
- hole
- combination stud
- air inlet
- stud and nut

	14 kg
	K018
	M16x1.5: max. 180 Nm
	M16x1.5: max. 80 Nm
	M24x1.5: max. 120 Nm

**OE Manufacturer/Part No.**

Manufacturer	Original Part No.	Model
Renault	5.010.294.307	Magnum / Premium