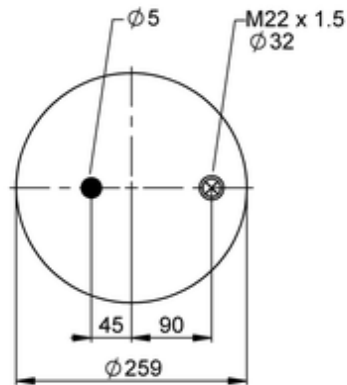
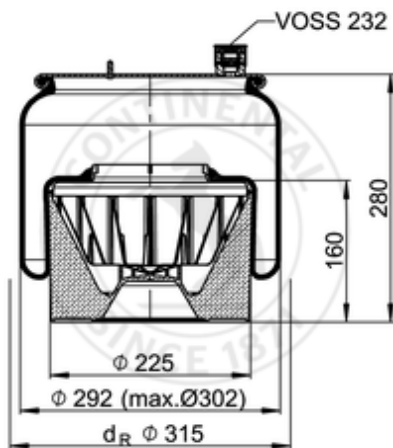









6120 N P49

74982



-  bolt or stud
-  hole
-  combination stud
-  air inlet
-  stud and nut

| | |
|---|--------|
|  kg | 5,7 kg |
|  | |

OE Manufacturer/Part No.

| Manufacturer | Original Part No. | Model |
|--------------|-------------------|------------|
| Mercedes | 960 320 17 57 | |
| Mercedes | A 960 320 17 57 | Actros MP4 |