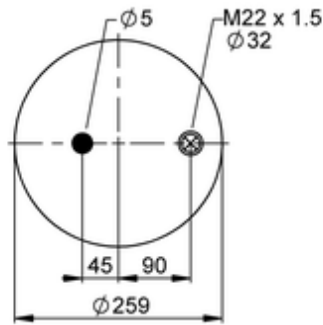
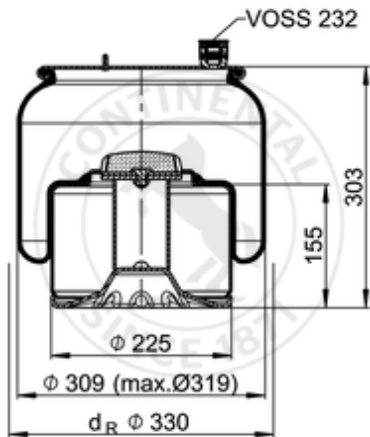









6131 N P40

74990



-  bolt or stud
-  hole
-  combination stud
-  air inlet
-  stud and nut

 kg	9,7 kg
	

OE Manufacturer/Part No.

Manufacturer	Original Part No.	Model
Mercedes	960 320 34 57	
Mercedes	960 320 76 57	
Mercedes	A 960 320 76 57	Actros MP4
Mercedes	A 960 320 34 57	Actros MP4