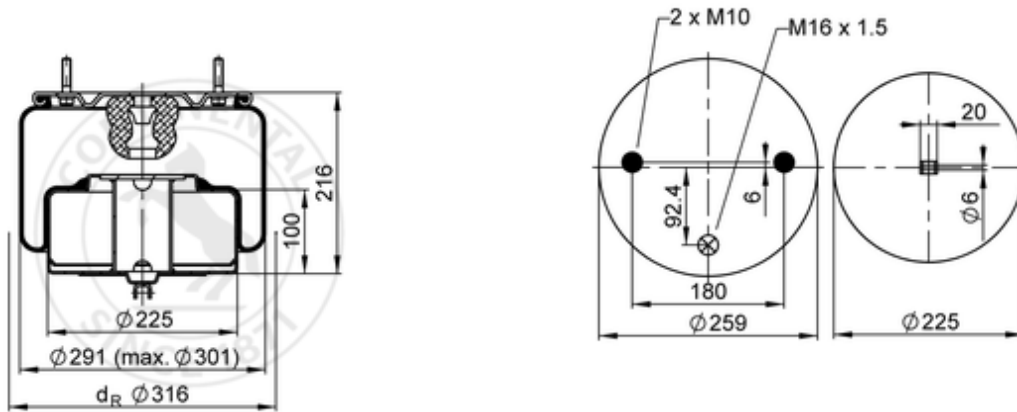

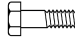





6609 N P01

68302



bolt or stud
 hole
 combination stud
 air inlet
 stud and nut

 kg	8,2 kg
	K006
	
	M10: max. 40 Nm
	M16x1.5: max. 20 Nm

OE Manufacturer/Part No.

Manufacturer	Original Part No.	Model
Volvo	1 075 365	
Volvo	20 452 138	
Volvo	20 554 761	
Volvo	1 629 782	