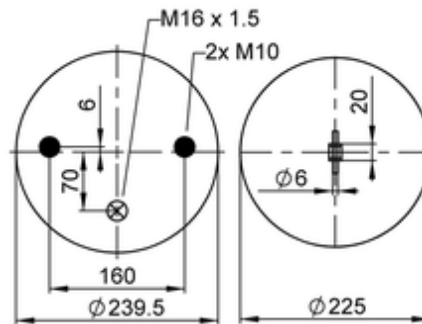
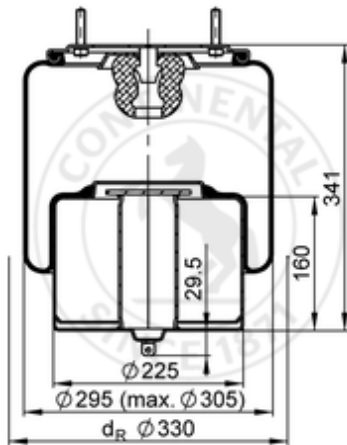






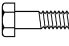





6612 N P01

69725



-  bolt or stud
-  hole
-  combination stud
-  air inlet
-  stud and nut

 kg	9,1 kg
	K006
	
	M10: max. 40 Nm
	M16x1.5: max. 20 Nm

OE Manufacturer/Part No.

Manufacturer	Original Part No.	Model
Volvo	20 452 142	
Volvo	20 479 800	FH standard
Volvo	21 961 472	FM / FH standard
Volvo	20 554 760	FM / FH standard
Volvo	20 580 705	FM / FH standard

