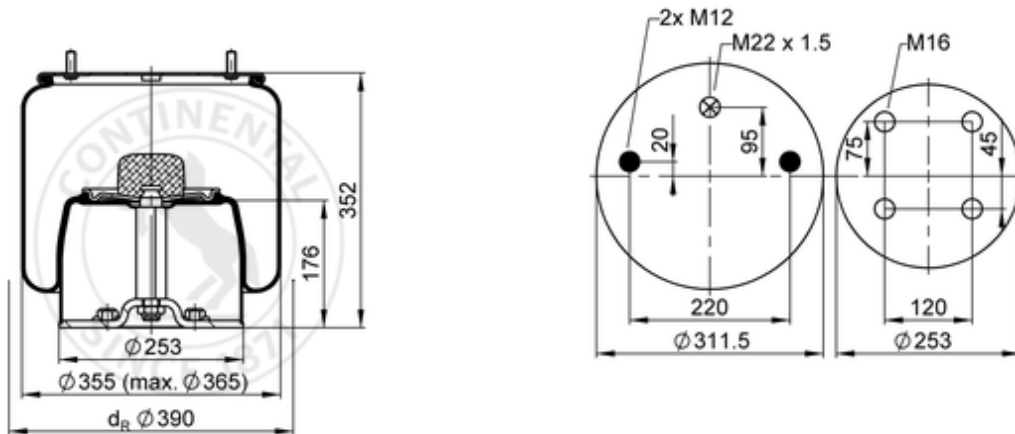


**725 N P03**
**67173**


- bolt or stud
- hole
- combination stud
- air inlet
- stud and nut

kg	13,8 kg
	M12: max. 70 Nm
	M16: max. 80 Nm
	M22x1.5: max. 20 Nm

**OE Manufacturer/Part No.**

Manufacturer	Original Part No.	Model
Gigant	700166252	
Gigant	166252	
Gigant	3653 compl.	