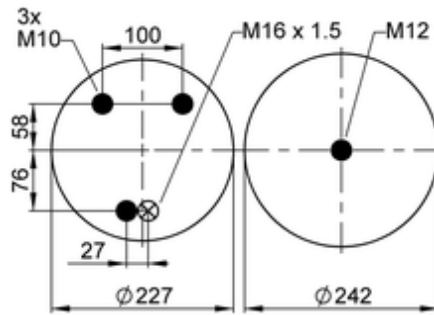
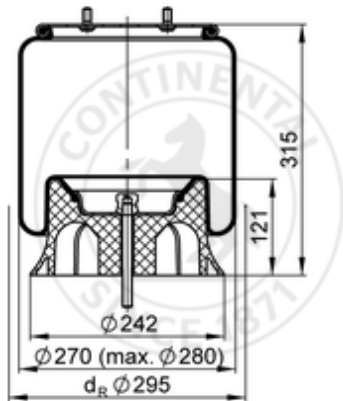






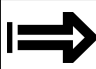






792 N P01

73700



-  bolt or stud
-  hole
-  combination stud
-  air inlet
-  stud and nut

 kg	5,3 kg
	65752
	
	M10: max. 45 Nm
	M12: max. 60 Nm
	M16x1.5: max. 45 Nm

OE Manufacturer/Part No.

Manufacturer	Original Part No.	Model
DAF	1 448 543	
DAF	1 529 836	
DAF	1 698 436	
DAF	1 698 436	CF 65
DAF	1 698 436	CF 75-85

DAF	1 698 436	LF 45-55
DAF	1 698 436	XF 95-105