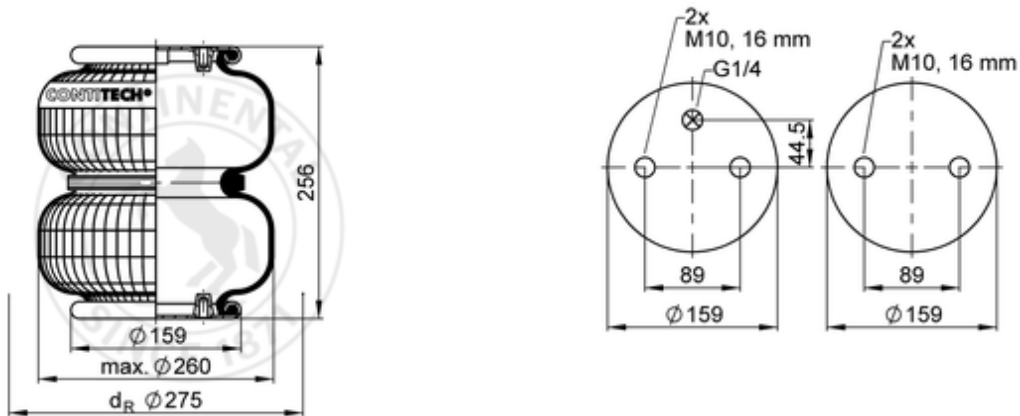


**FD 200-25 1/4 M10**
**62892**


- bolt or stud
- hole
- combination stud
- air inlet
- stud and nut

	3 kg
	K023
	G1/4: max. 25 Nm
	M10: max. 35 Nm

**OE Manufacturer/Part No.**

Manufacturer	Original Part No.	Model
Meritor	2122 1356	
Weweler	US 07394C	
Schmitz	016 808	
Granning	15670	
Jost	JAE 20 107 021 01	
Jost	2010702101	
Daimler TAS	A 946 328 21 01	
Weweler	US 07394F	

Weweler	US 07394	AC 173
Valx	81005002	HD100