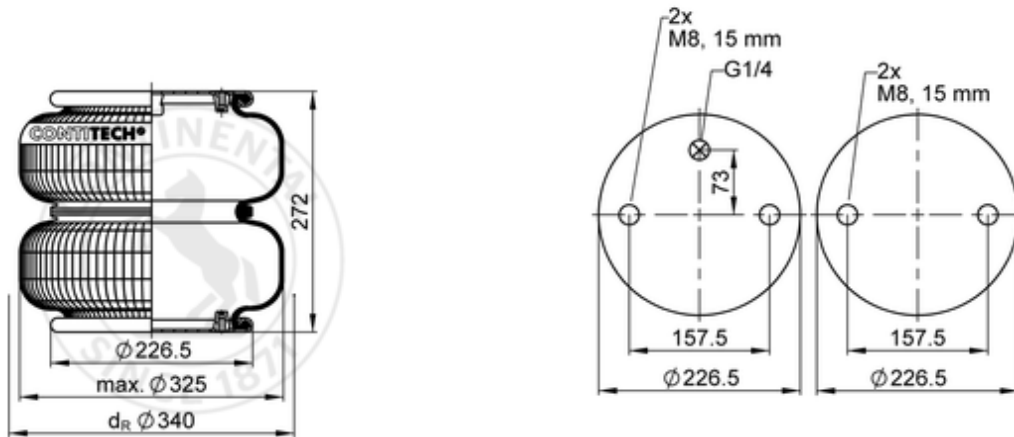


FD 330-30 1/4 M8
60417


bolt or stud
 hole
 ⊗ combination stud
 ⊗ air inlet
 ● stud and nut

kg	5,1 kg
	G1/4: max. 25 Nm
	M8: max. 25 Nm

OE Manufacturer/Part No.

Manufacturer	Original Part No.	Model
Hendrickson	NA 1816	
Jung		